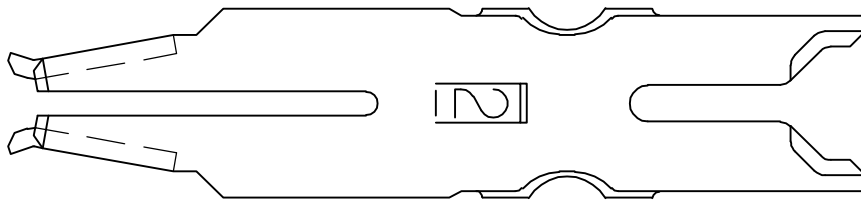


LOC	DIST	REVISIONS					
CM	00	P	LTR	DESCRIPTION	DATE	DWN	APVD
		B		EC 0G3B 0202 05	30 JUL 05	BSV	DB




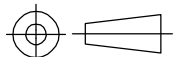
1. LOOSE PIECE CONTACT WILL FIT INTO MTA QUAD HOUSING.

3-644510-1

PART NO

THIS DRAWING IS UNPUBLISHED.

ALL RIGHTS RESERVED. BY TYCO ELECTRONICS CORPORATION.

DIMENSIONS: mm [INCHES]	DWN	C. MARTIN	27 JUL 90	MATERIAL	HIGH PERFORMANCE COPPER ALLOY	FINISH	TIN	
	CHK	R. SWING	27 JUL 90	 Tyco Electronics Corporation Harrisburg, Pa 17105-3608				
TOLERANCES UNLESS OTHERWISE SPECIFIED:	APVD	G. MILLER	27 JUL 90					
0 PLC ± -	PRODUCT SPEC			NAME CONTACT, QUAD, MTA-156, 22 AWG, LOOSE PIECE				
1 PLC ± -	APPLICATION SPEC							
2 PLC ± -	WEIGHT			SIZE	CAGE CODE	DRAWING NO	RESTRICTED TO	
3 PLC ± -	-			A4	00779	C-644510	-	
4 PLC ± -				CUSTOMER DRAWING			SCALE	5:1
ANGLES ± -							SHEET	1
							REV	B